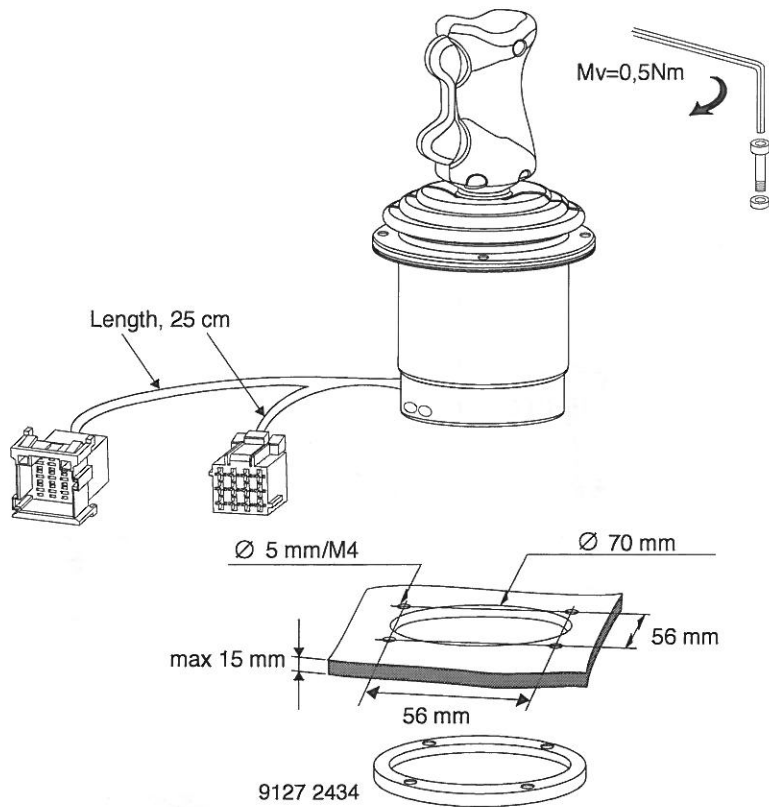
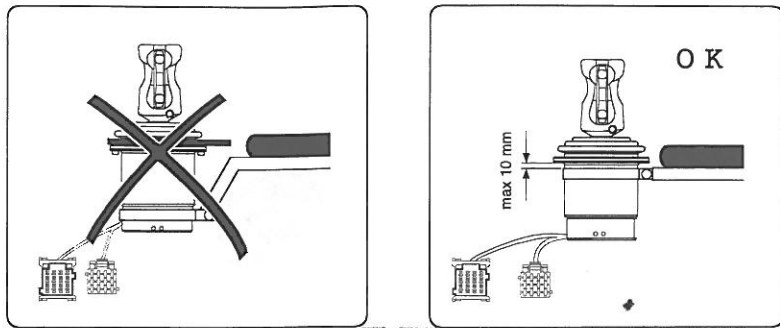
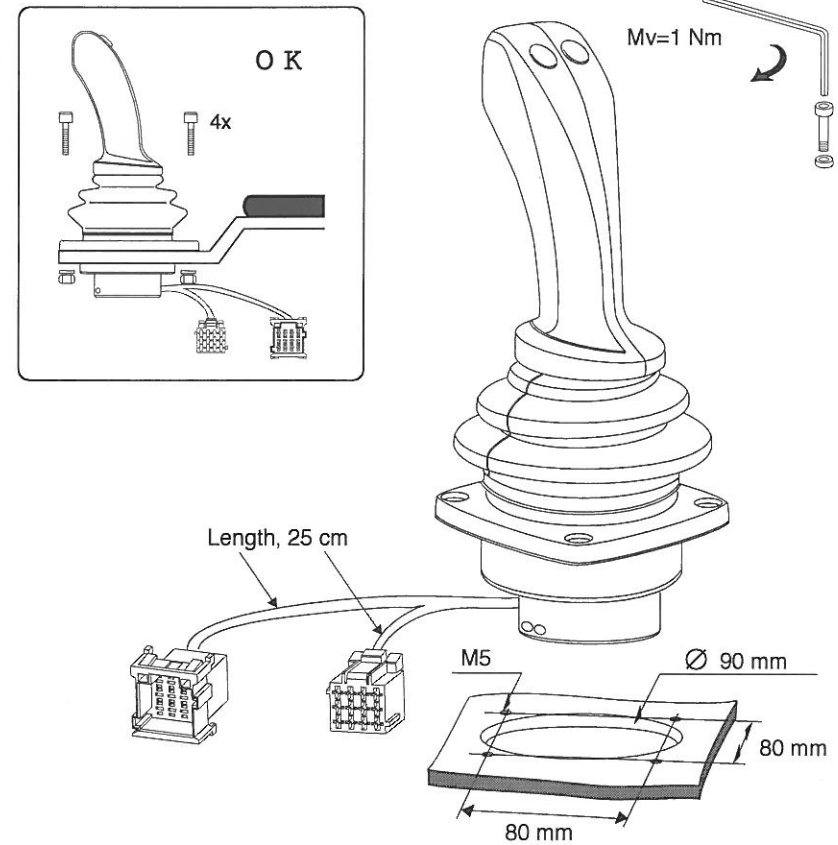
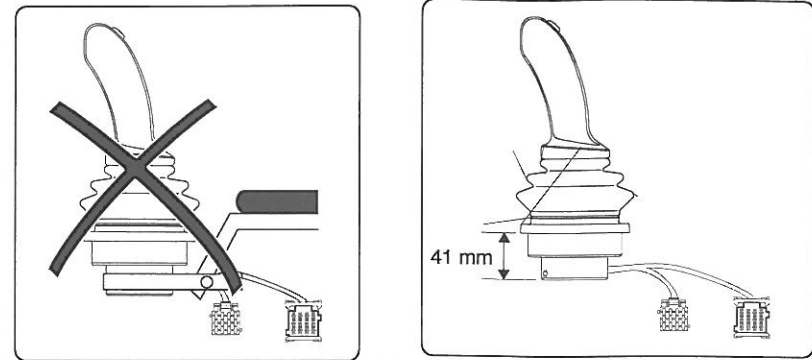


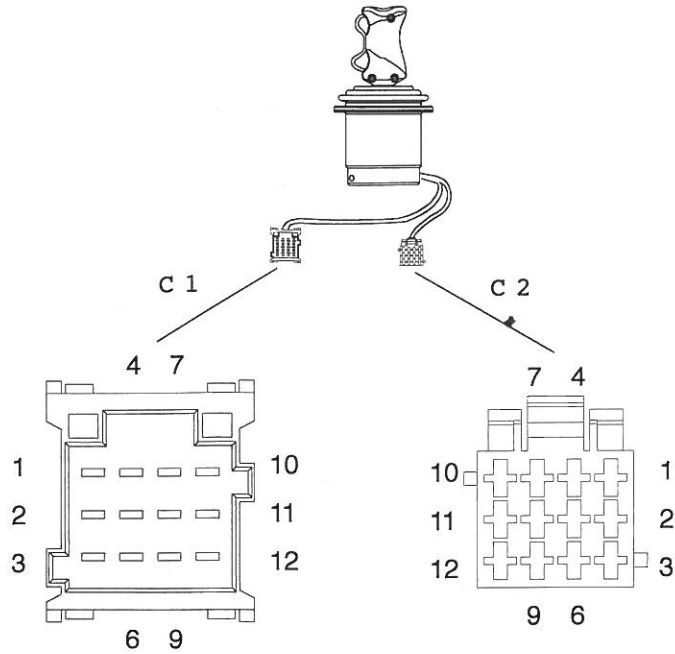
IQAN-LM



IQAN-LL



Wiring diagram



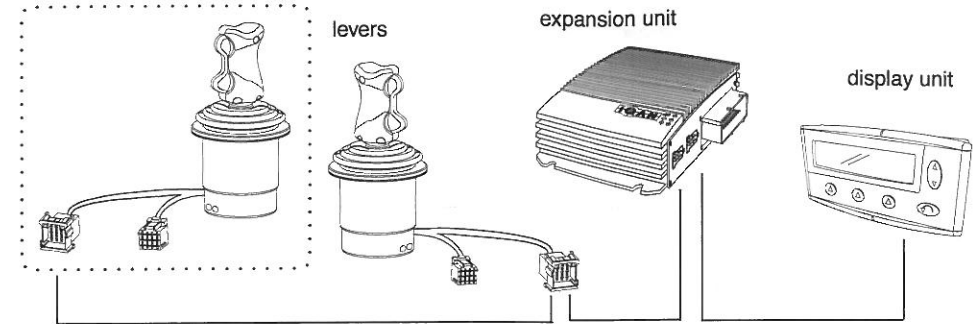
- | | |
|-----|---------------|
| 1. | -BAT |
| 2. | -BAT |
| 3. | CAN L |
| 4. | +BAT |
| 5. | +BAT |
| 6. | CAN H |
| 7. | ADDRESS L |
| 8. | ADDRESS H |
| 9. | CAN L |
| 10. | Not connected |
| 11. | Not connected |
| 12. | CAN H |

- | | |
|-----|-----------|
| 1. | DIN A |
| 2. | DIN B |
| 3. | DIN C |
| 4. | DIN D |
| 5. | DIN E |
| 6. | DOU/DIN F |
| 7. | -V REF |
| 8. | +V REF |
| 9. | +BAT |
| 10. | VIN A |
| 11. | VIN B |
| 12. | -BAT |

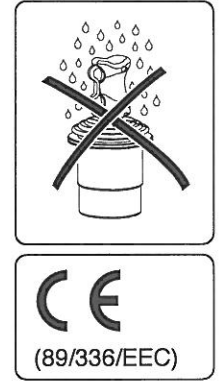
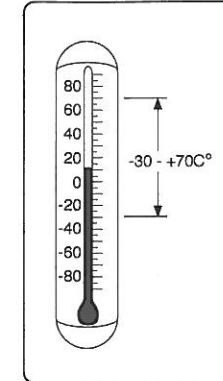
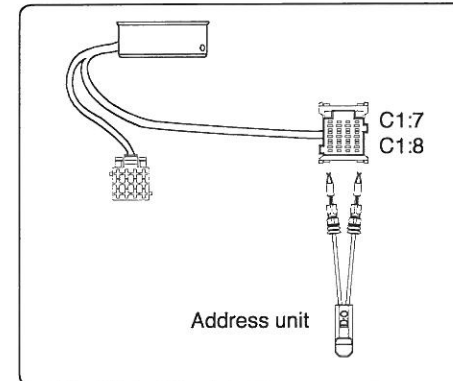
Mating connector kit: 5031 048

Installation IQAN-LL/LM

Publ.no: M5010009/7A
Ed. A



CAN module addressing



CE
(89/336/EEC)

For further information see:
HY17-8330/UK Instructions

