

## General Description

Unicoils are used on all DSL\* Unisol 210 Bar (3000 PSI) and DSH\* 345 Bar (5000 PSI) rated valves only. These coils are larger (height and width) than the coils used on DS\* valves operating at 210 Bar (3000 PSI). The coils for DS\*, 210 Bar (3000 PSI) valves are **non-interchangeable**. For specifications and ordering information for coils used on DS\* valves rated to 210 Bar (3000 PSI), see basic specification coil data.

## Features

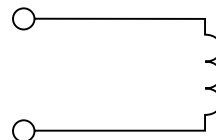
- One piece compact encapsulated design
- Minimal amperage draw
- Numerous terminals and voltages
- Coil designed for use with series 10, Unisol "DSL" 210 Bar (3000 PSI) and "DSH" 345 Bar (5000 PSI), type valves only
- Coils made with high quality Class H magnet wire
- Superior thick internal iron frame surrounding copper windings to increase coil's flux density
- More ampere turns to deliver more magnetic flux per input voltage
- A.C. coil operates @ 50/60 cycle (Hz)

## Specifications

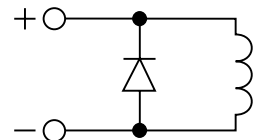
|                                |  |
|--------------------------------|--|
| <b>Wattage</b>                 | 20 Watts   |
| <b>Duty Rating</b>             | Continuous @ 100% voltage  |
| <b>Wire Class</b>              | Class H - 200°C (392°F)  |
| <b>Heat Rise</b>               | 45°C (115°F) over ambient  |
| <b>A.C. Rectifier</b>          | Integral full wave bridge  |
| <b>Lead Wire</b>               | 18 gauge 24" long, 600 volt rating   |
| <b>Lead Wire Strain Relief</b> | 34 kg (75 lbs.) @ 21°C (70°F) & 18 kg (40 lbs.) @ 93°C (200°F)   |
| <b>Encapsulating Material</b>  | Rynite, resistant to moisture, caustic solutions, fungus, and temperatures from -40°C (-40°F) to 200°C (392°F) |
| <b>Finish</b>                  | Coil - Black<br>Frame - Yellow zinc dichromate   |



## Symbols



**Standard**  
(Without Diode)



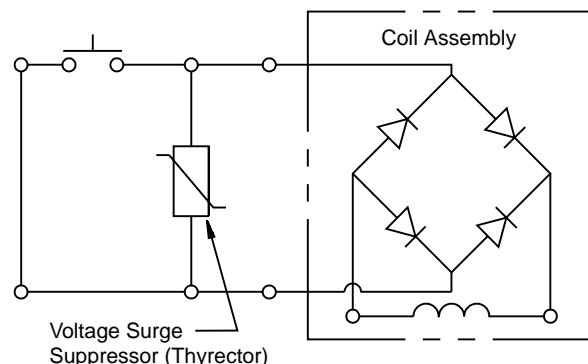
**Optional**  
(With Diode Consult Factory)

## NOTE:

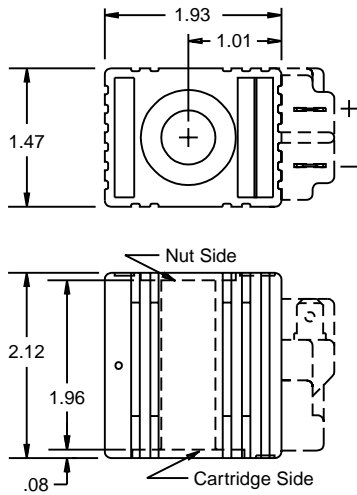
Parker A.C. Coils incorporate integrally molded full wave rectifiers which are rated for reverse voltage peaks of 1000 volts maximum. For voltage transients greater than 1000 volts P.I.V., Harris Thyrector V150LA10A or V150LA20A for 115 VAC and V250LA15A or V250LA40A for 200 VAC is recommended.

## Coil Assembly

No inductive or capacitive loads can be installed between surge suppressor and rectified valves.



**Terminal Styles and Dimensions**



**NOTES:**

1. Coil to be installed with part number on nut side.
2. Lead wires are 18 gauge, 24" long. Available with different weather pack connectors.
3. For additional terminals, voltages & wattages, consult factory for details.

|  |                                       |                                       |  |  |
|--|---------------------------------------|---------------------------------------|--|--|
| <p><b>Type P<br/>Dual Spade</b></p>    | <p><b>Type W<br/>Double Lead</b></p>  | <p><b>Type W1<br/>Single Lead</b></p> | <p><b>Type S1<br/>Single Screw</b></p> | <p><b>Type C<br/>Conduit Conn.</b></p> |
| <p><b>Type D<br/>DIN Plug Face</b></p> | <p><b>Type S<br/>Double Screw</b></p> | <p><b>Type J<br/>AMP Junior</b></p>   | <p><b>Type P1<br/>Single Spade</b></p> | <p><b>Type M<br/>Metri-Pack</b></p>    |

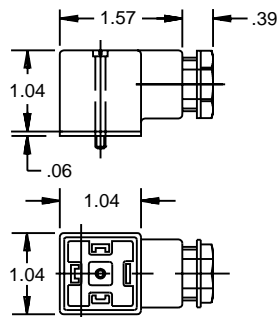
**Coil Part Numbers**

| Voltage | Type P<br>Double Spade | Type W<br>Double Wire | Type C<br>Conduit Conn. | Type D<br>DIN Plug Face | Amps* | Ohms | Watts | Lead Wire<br>Color |
|---------|------------------------|-----------------------|-------------------------|-------------------------|-------|------|-------|--------------------|
| 10 VDC  | S10LPD010              | S10LWD010             | S10LCD010               | S10LDD010               | 2.1   | 4.8  | 21    | Yellow             |
| 12 VDC  | S10LPD012              | S10LWD012             | S10LCD012               | S10LDD012               | 1.67  | 7.2  | 20    | Red                |
| 24 VDC  | S10LPD024              | S10LWD024             | S10LCD024               | S10LDD024               | 0.88  | 27.4 | 21    | Blue               |
| 120 VAC | —                      | —                     | S10LCA120               | S10LDA120               | 0.192 | 626  | 23    | Brown              |
| 230 VAC | —                      | —                     | S10LCA240               | S10LDA240               | 0.1   | 2400 | 24    | White              |

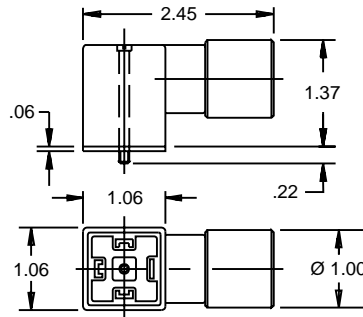
\*Amperage draw @ 21°C (70°F)

**Coil Accessories For DIN Connector 43650**

| Cable Gland | Type | Non-Rectified | Rectified |
|-------------|------|---------------|-----------|
| PG9         |      | 710549-00     | 712126-01 |
| PG11        |      | 710549-01     | 712126-00 |



| Conduit | Rectified |
|---------|-----------|
|         | 712704-00 |



| Conduit | Non-Rectified |
|---------|---------------|
|         | 710549-02     |

